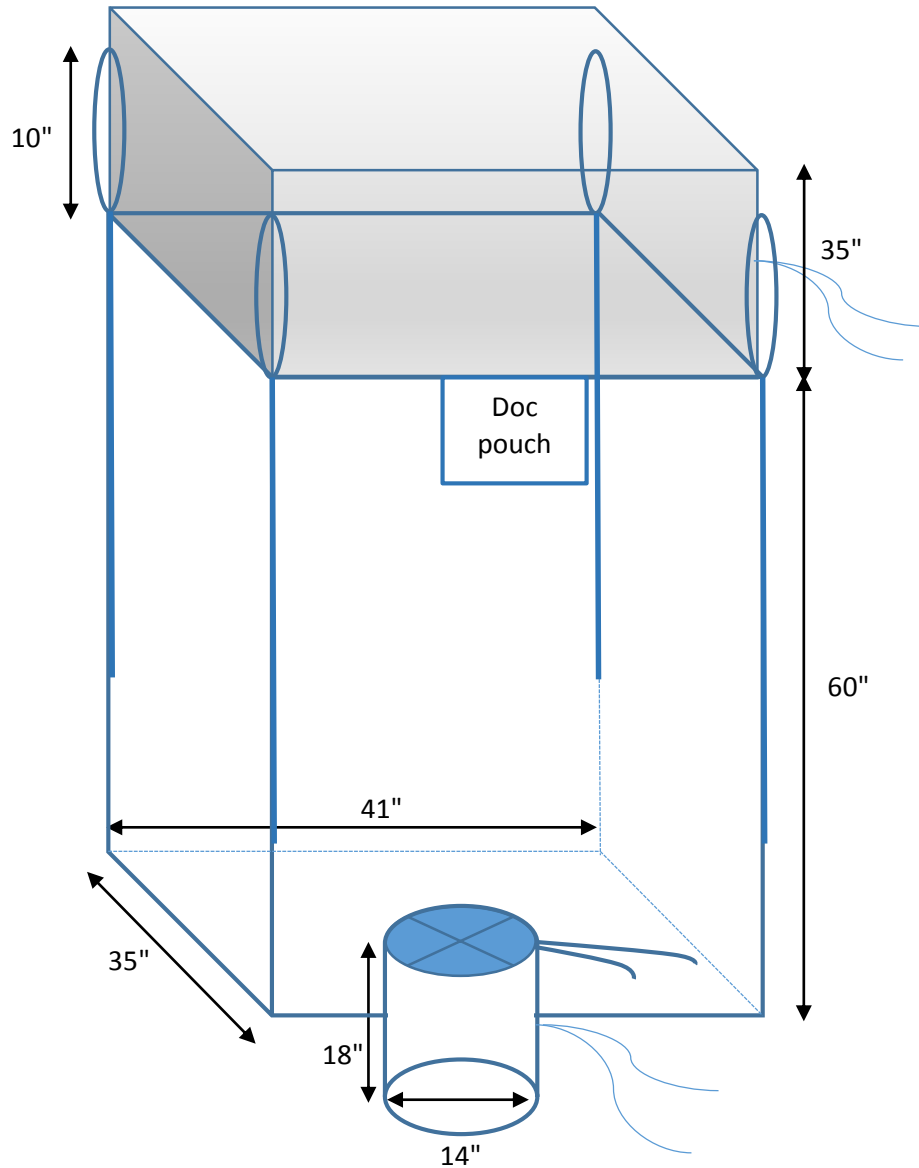


**DRAWING FOR BB-354160UDS / HCU1228**



| <b>Specification</b> |   |
|----------------------|---|
| Bag Dimension:       | 35x41x60"                                   |
| SWL/SF:              | 3000lbs (1365kg) / 5:1                      |
| Bag construction:    | U-Panel                                     |
| Body Fabric:         | 5oz (170gsm) Uncoated White fabric          |
| Duffle Top:          | 35" long                                    |
| Duffle Fabric:       | 1.90 + 0.59oz (65+20gsm) coated             |
| Duffle tie:          | Flat pp tie tape                            |
| Bottom Spout:        | dia 14 x 18" long                           |
| Bottom Spout Fabric: | 1.9 + 0.59oz (65+20gsm) coated              |
| Bottom Spout tie:    | Flat pp tie tape                            |
| Bottom Closure:      | Star closure                                |
| Bottom Closure tie:  | Flat pp tie tape                            |
| Lifting Loops:       | 4 corner loops x 10" free height x 2" width |
| Material:            | PP Webbing / White Colour                   |
| Sift proof seams:    | No  |
| Document pouch:      | Standard pouch                              |
| Seams:               | Double Chain - White/Blue                   |