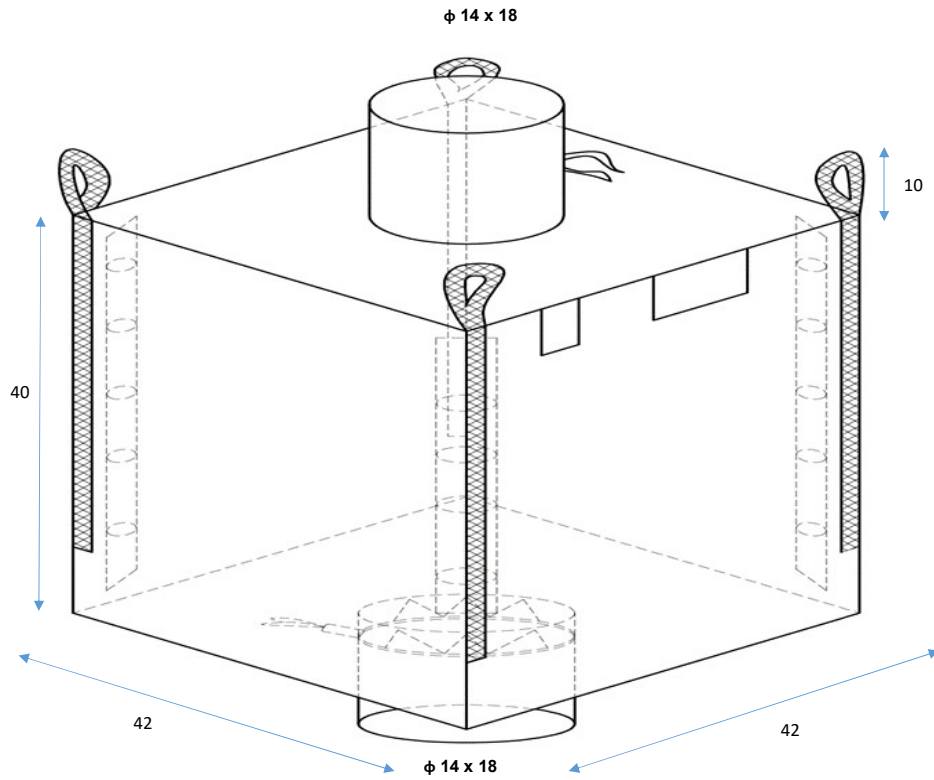


BB-424240SS - Specification with drawing



Bag dimensions:	42" x 42" x 40" - (Inner size l x w x h)
Safe working load/ Safety factor:	3000 lbs 5:1
Bag construction:	4-panel bag with baffle
Body fabric:	160 gsm uncoated white fabric
Top:	Spout - 14" diameter x 18 " height
Top fabric:	60 gsm + 20 gsm coated
Tie:	PP rafia tie strings
Bottom spout:	14" diameter x 18 " height
Bottom spout fabric:	90 gsm + 20 gsm coated
Bottom spout tie:	PP rafia tie strings
Bottom closure:	Star closure
Bottom closure:	PP rope
Baffles:	4 corner baffles - 100 gsm + 20 gsm coated
Lifting loops:	4 corner loops 10" free height & 2" width
Loop material:	PP rafia webbing - Whit colour
Sift proof seams:	No
Document pouch:	1 x A4 size
Seams:	Double chain white colour yarn
Safety label	Yes
Bag weight:	2.01 kg
Packing:	210 pcs/pallet - bundled & wrapped in 50 pcs per bale