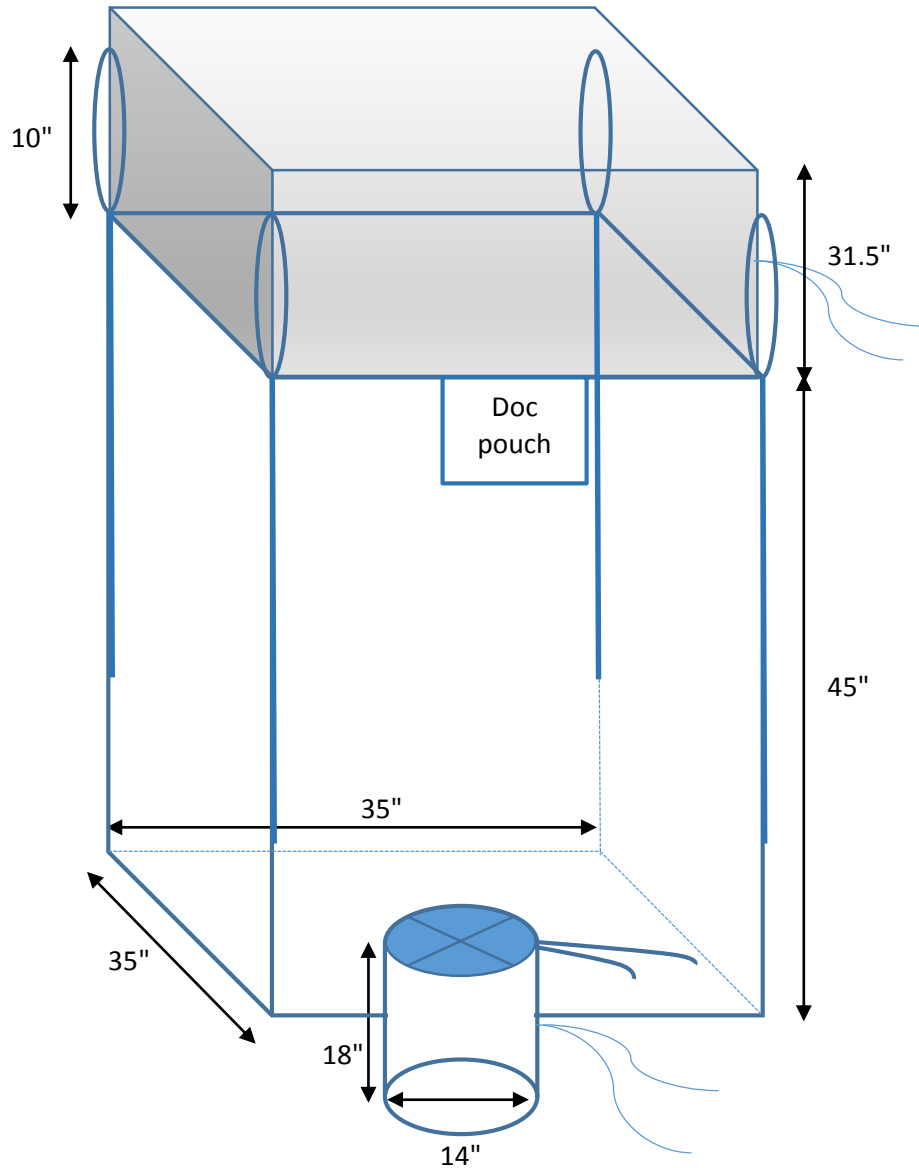


DRAWING FOR BB-45CDS4K / HCU1430



| Specification | |
|----------------------|--|
| Bag Dimension: | 35x35x45" |
| SWL/SF: | 4000lbs (1820kg) / 5:1 |
| Bag construction: | U-Panel |
| Body Fabric: | 6.5+0.88oz (220+30gsm) Coated White fabric |
| Duffel Top: | 31.5" long |
| Duffel Fabric: | 1.90 + 0.59oz (65+20gsm) coated |
| Duffel tie: | Flat pp tie tape |
| Bottom Spout: | dia 14 x 18" long |
| Bottom Spout Fabric: | 2.95 + 0.59oz (100+20gsm) coated |
| Bottom Spout tie: | Flat pp tie tape |
| Bottom Closure: | Star closure |
| Bottom Closure tie: | Flat pp tie tape |
| Lifting Loops: | 4 corner loops x 10" free height x 2.17" width |
| Material: | PP Webbing / White Colour |
| Sift proof seams: | No |
| Document pouch: | Standard pouch |
| Seams: | Double Chain - White/Blue |