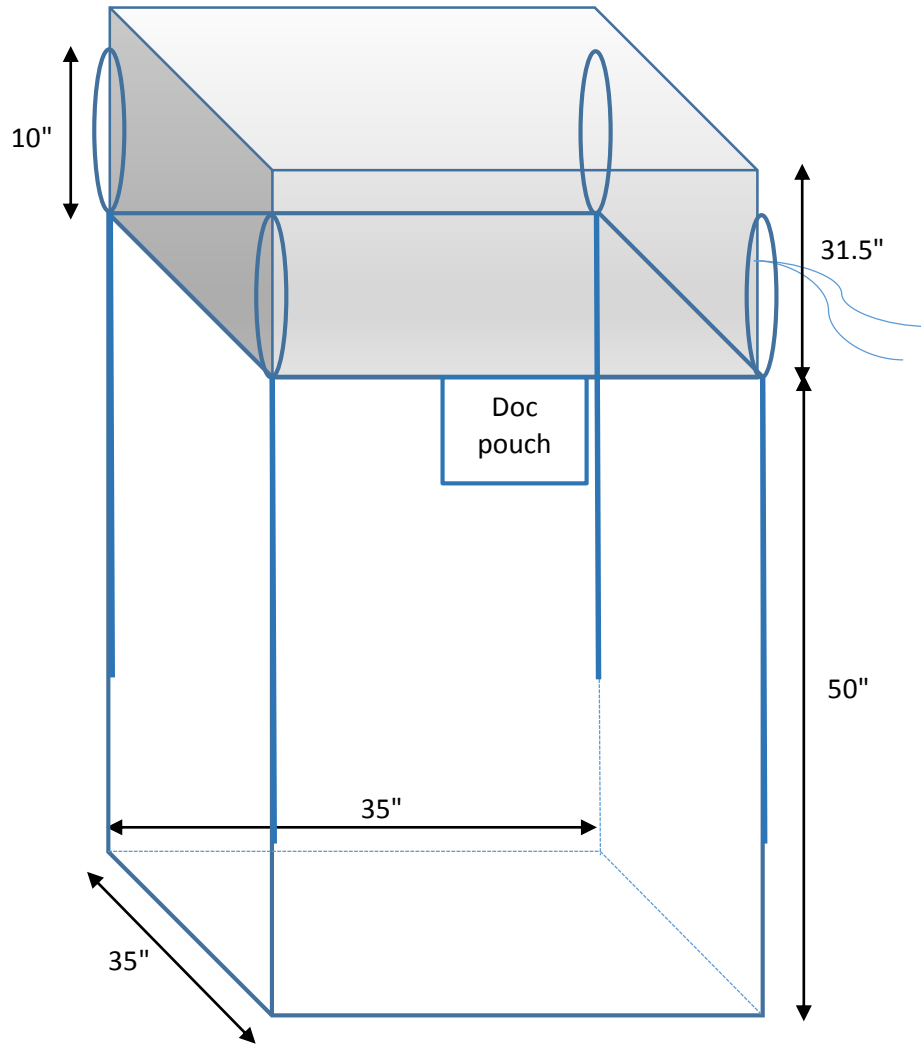


DRAWING FOR BB-50UDF / HCU761



Specification	
Bag Dimension:	35x35x50"
SWL/SF:	2200lbs (1000kg) / 5:1
Bag construction:	U-Panel
Body Fabric:	4.7oz (160gsm) Uncoated White fabric
Duffel Top:	31.5" long
Duffel Fabric:	1.90 + 0.59oz (65+20gsm) coated
Duffel tie:	Flat pp tie tape
Bottom:	Plain
Bottom Closure:	No
Lifting Loops:	4 corner loops x 10" free height x 2" width
Material:	PP Webbing / White Colour
Sift proof seams:	No
Document pouch:	Standard pouch
Seams:	Double Chain - White/Blue