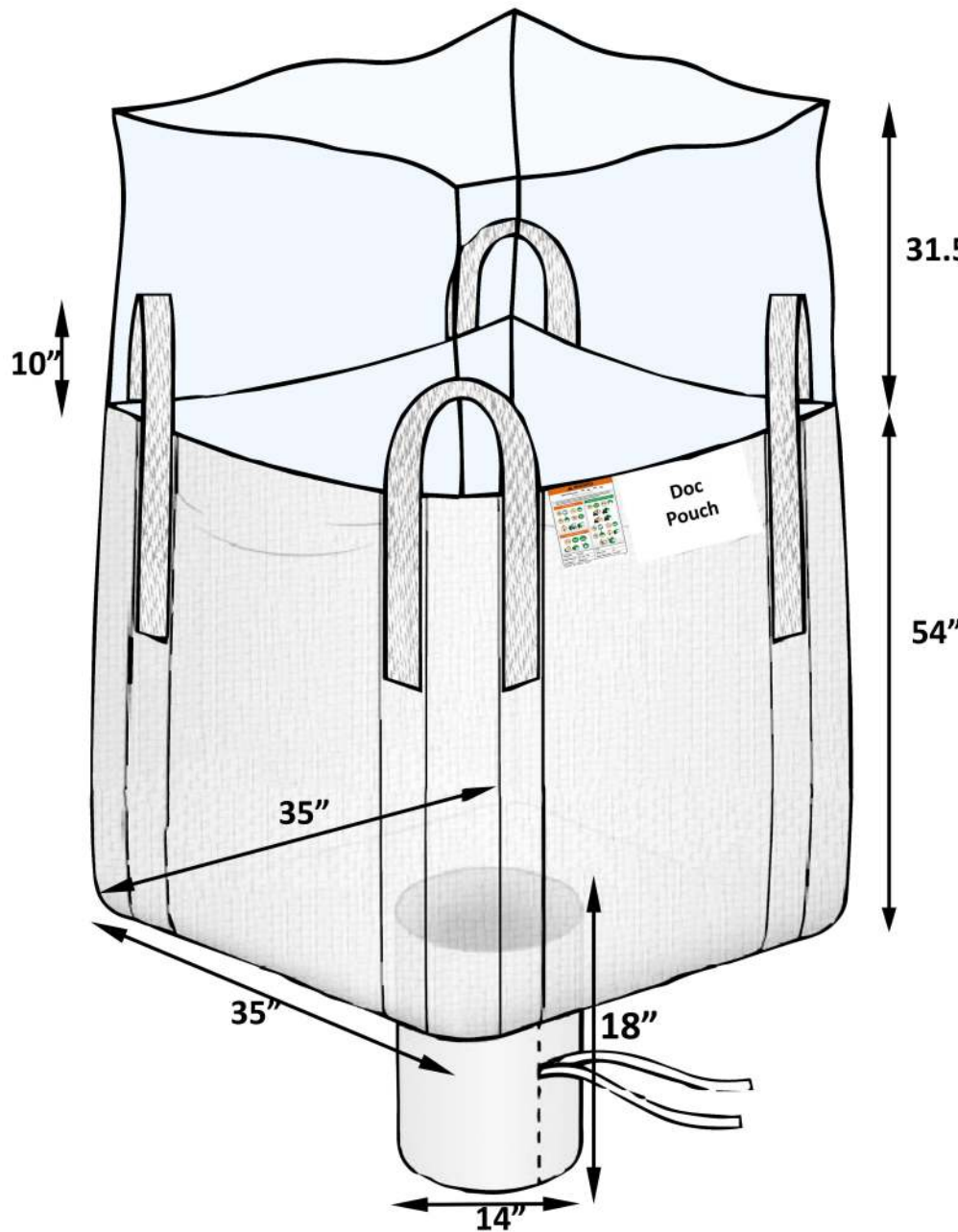


BB-54U5DS



31.5" Specification

| | |
|----------------------|--|
| Bag Dimension: | 35x35x54" |
| SWL/SF: | 2200lbs / 5:1 |
| Bag construction: | Circular |
| Body Fabric: | 4.7oz (160gsm) Uncoated White fabric |
| Duffle Top: | 31.5" long |
| Duffle Fabric: | 1.90 + 0.59oz (65+20gsm) coated |
| Duffle tie: | Flat PP tie tape |
| Bottom Spout: | diameter 14 x 18" long |
| Bottom Spout Fabric: | 2.65 + 0.59oz (90+20gsm) coated |
| Bottom Spout tie: | Flat PP tie tape |
| Bottom Closure: | Star closure |
| Bottom Closure tie: | Flat PP tie tape |
| Lifting Loops: | 4 Corner loops x 10" free height x 2.36" width |
| Material: | PP Webbing / White Color |
| Sift proof seams: | No |
| Document pouch: | Standard |
| Seams: | Double Chain - White/Blue |
| Packing: | Bales of 50, strapped to pallets. 235/Pallet. |
| Pallet type: | 40"x48"x53"(H); Gross Wt./Pallet< 1,000 lbs. |
| Raw Material: | FDA Compliant, 100% Virgin Polypropylene |