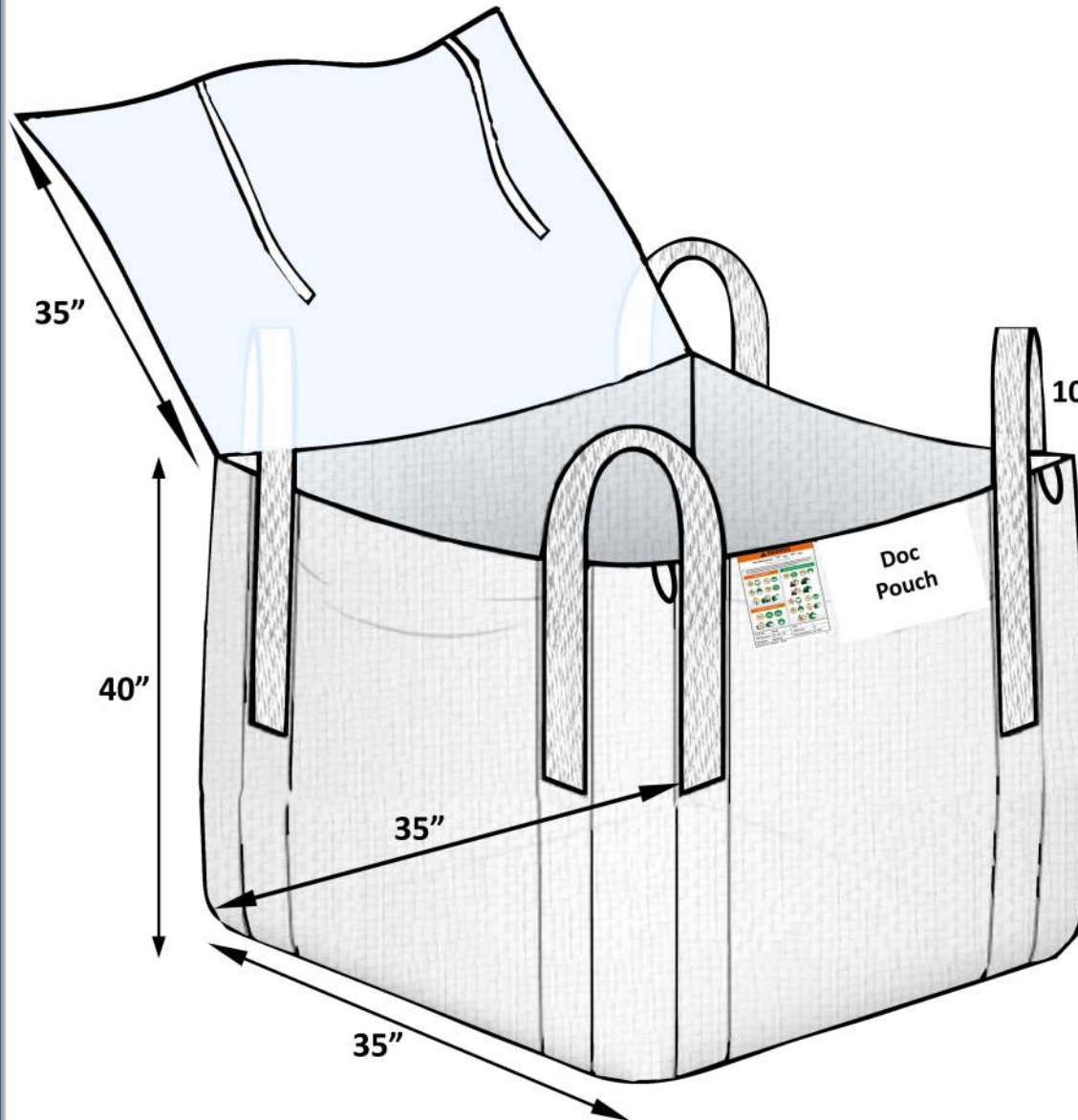


# BB-40UFF



## Specification

Bag Dimension:	35x35x40"
SWL/SF:	2200lbs (1000kg) / 5:1
Bag construction:	Circular
Body Fabric:	4.7oz (160gsm) Uncoated White fabric
Top Flap:	35x35"
Top Fabric:	3+0.59oz (100+20gsm) Coated White fabric
Top Flap Tie:	PP ties
Bottom:	Flat
Lifting Loops:	4 Cross Corner loops x 10"(H) x 2.17" width
Material:	PP Webbing / White Color
Sift proof seams:	No
Document pouch:	Standard pouch (vertical Sewn on top seam)
Seams:	Double Chain - White/Blue; H fold outside
Packing:	Bales of 50, strapped to pallets. 330/Pallet.
Pallet type:	40"x48"x53"(H); Gross Wt./Pallet< 1,000 lbs.
Raw Material:	FDA Compliant, 100% Virgin Polypropylene