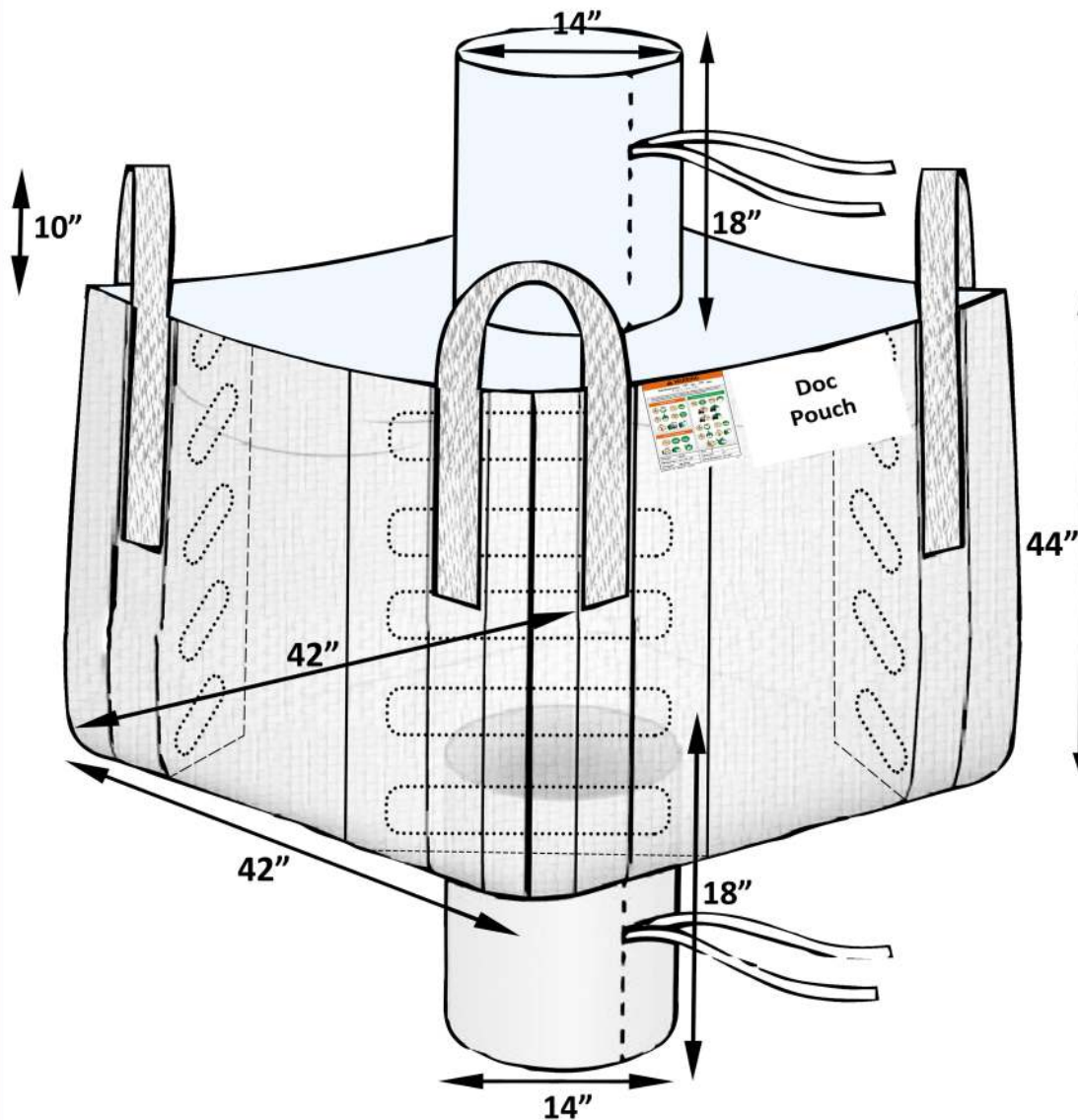


# BB-44SSC



## Specification

Bag Dimension:	42x42x44"
SWL/SF:	3000lbs (1350kg) / 5:1
Bag construction:	4+1 Panel Baffle
Body Fabric:	5.3oz (180gsm) Uncoated White fabric
Top Spout:	diameter 14 x 18" long
Top Spout Fabric:	1.90 + 0.59oz (65+20gsm) coated
Top Spout tie:	Flat PP tie tape
Bottom Spout:	diameter 14 x 18" long
Bottom Spout Fabric:	2.65 + 0.59oz (90+20gsm) coated
Bottom Spout tie:	Flat PP tie tape
Bottom Closure:	Star closure
Bottom Closure tie:	Flat PP tie tape
Baffles:	4 corner baffles - 100+20gsm coated
Lifting Loops:	4 Cross Corner loops x 10 x 3" width
Material:	PP Webbing / White Color
Sift proof seams:	No
Document pouch:	Standard pouch (vertical Sewn on top seam)
Seams:	Double Chain - White/Blue; H fold outside
Packing:	Bales of 50, strapped to pallets. 185/Pallet.
Pallet type:	40"x48"x53"(H); Gross Wt./Pallet< 1,000 lbs.
Raw Material:	FDA Compliant, 100% Virgin Polypropylene