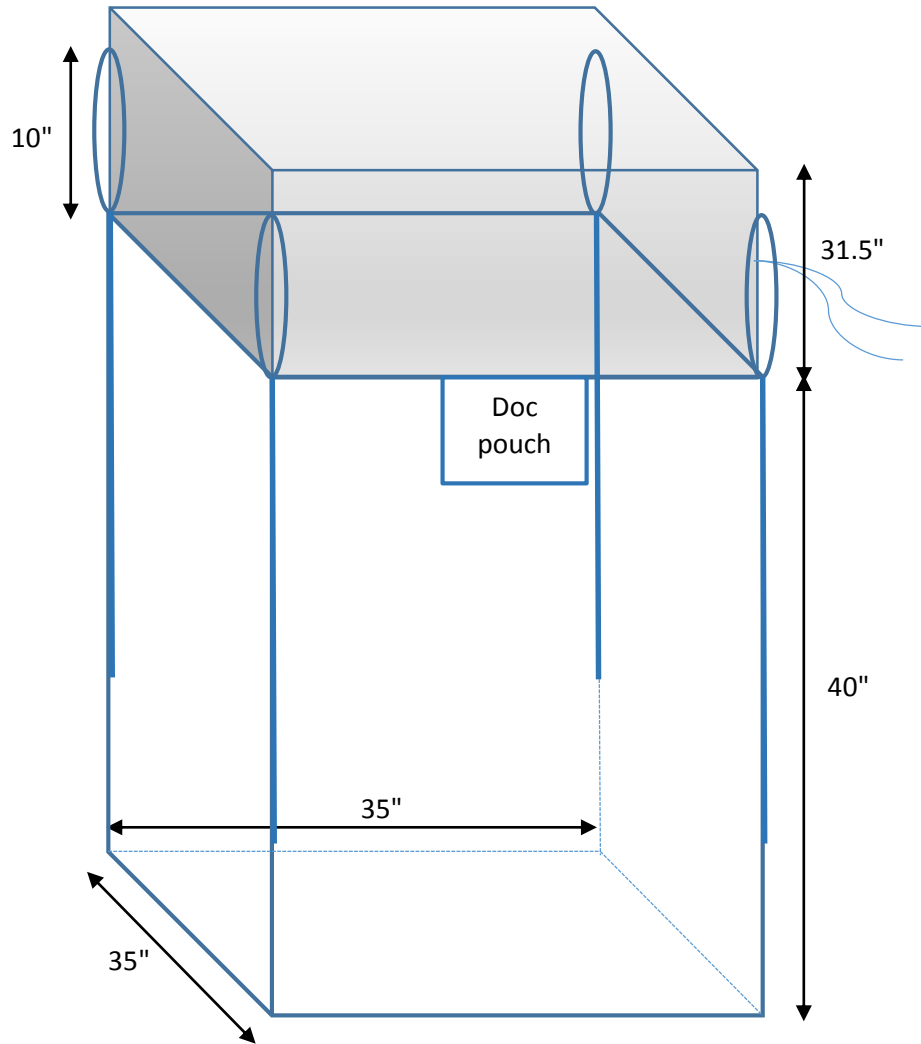


**DRAWING FOR BB-40UDF / HCU1267**



<b>Specification</b>	
Bag Dimension:	35x35x40"
SWL/SF:	2200lbs (1000kg) / 5:1
Bag construction:	U-Panel
Body Fabric:	4.7oz (160gsm) Uncoated White fabric
Duffle Top:	31.5" long
Duffle Fabric:	1.90 + 0.59oz (65+20gsm) coated
Duffle tie:	Flat pp tie tape
Bottom:	Plain
Bottom Closure:	No
Lifting Loops:	4 corner loops x 10" free height x 2" width
Material:	PP Webbing / White Colour
Sift proof seams:	No
Document pouch:	Standard pouch
Seams:	Double Chain - White/Blue