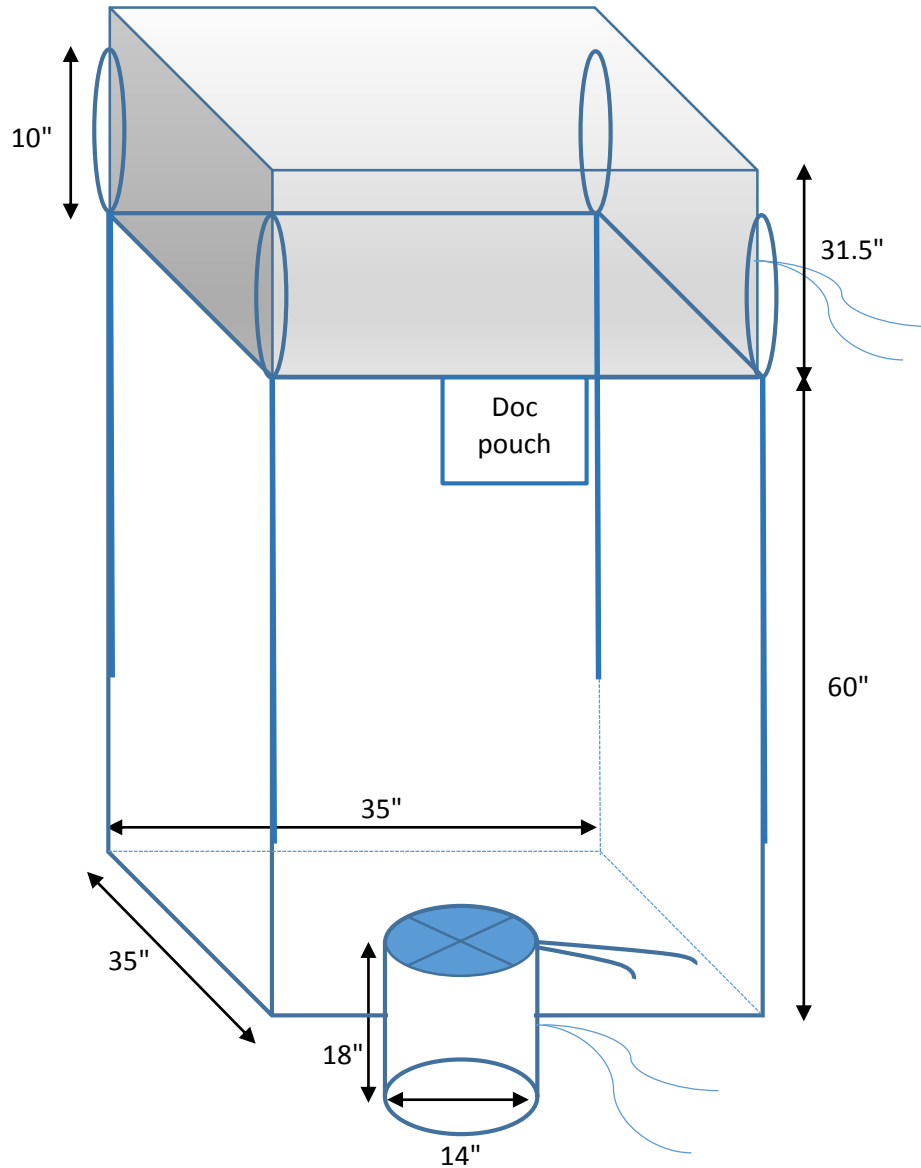


DRAWING FOR BB-60UDS / HCU788



| Specification | |
|----------------------|---|
| Bag Dimension: | 35x35x60" |
| SWL/SF: | 3000lbs (1365kg)/ 5:1 |
| Bag construction: | U-Panel |
| Body Fabric: | 5oz (170gsm) Uncoated White fabric |
| Duffle Top: | 31.5" long |
| Duffle Fabric: | 1.90 + 0.59oz (65+20gsm) coated |
| Duffle tie: | Flat pp tie tape |
| Bottom Spout: | dia 14 x 18" long |
| Bottom Spout Fabric: | 2.4 + 0.59oz (65+20gsm) coated |
| Bottom Spout tie: | Flat pp tie tape |
| Bottom Closure: | Star closure |
| Bottom Closure tie: | Flat pp tie tape |
| Lifting Loops: | 4 corner loops x 10" free height x 2" width |
| Material: | PP Webbing / White Colour |
| Sift proof seams: | No |
| Document pouch: | Standard pouch |
| Seams: | Double Chain - White/Blue |